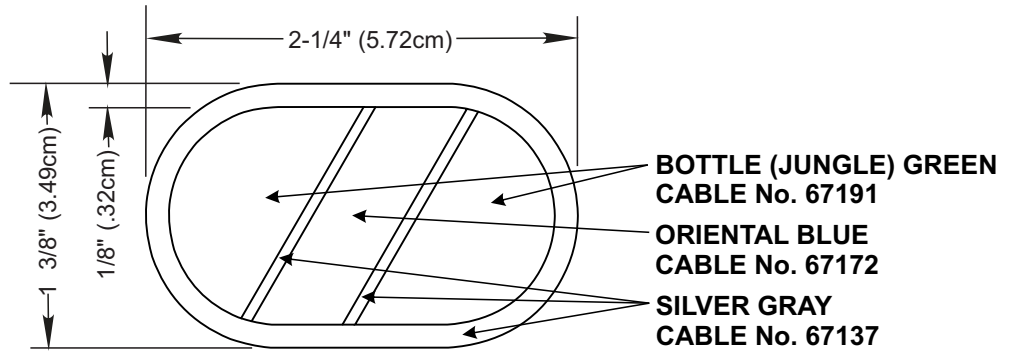


**REVISIONS**

LTR	DESCRIPTION	DATE	APPROVED
-----	-------------	------	----------



**DESIGNED FOR OVEREDGE STITCHING**

UNLESS OTHERWISE SPECIFIED DIMENSIONS ARE IN INCHES  
TOLERANCES ON FRACTIONS DECIMALS ANGLES

MATERIALS:  
TO BE MANUFACTURED IN ACCORDANCE WITH MIL-DTL-14652

EXAMINED		
CHECKED		
PREPARED	<b>CLH</b>	
APPROVED		

CHARLES V. MUGNO  
DIRECTOR

THE INSTITUTE OF HERALDRY, DEPARTMENT OF THE ARMY  
9325 GUNSTON RD, RM S-113 FORT BELVOIR, VA 22060-5579

BACKGROUND TRIMMING FOR  
**1ST SPECIAL FORCES COMMAND  
MILITARY INTELLIGENCE BN**

SIZE	CONTROL IDENT. NO	
<b>A</b>	<b>22571</b>	<b>A-6-339</b>

SCALE	FULL	DATE	<b>07 APRIL 2017</b>
-------	------	------	----------------------